

LED Work Light - Model 526

PRODUCT INFORMATION

Description	24V LED Work Light with Black Housing, Polycarbonate Lens & Flood Beam Pattern
Height	160.02 mm / 6.3 in
Width	157.48 mm / 6.2 in
Depth	96.52 mm / 3.8 in
Shape	Square
Outer Lens Material	Polycarbonate
Outer Lens Color	Clear
Housing Material	Die-Cast Aluminum
Housing Color	Black
Mounting Hardware Description	(x1) M10-1.5 x 25 Mounting Bolt
Mounting Type	Universal Pedestal Mount
Minimum Operating Temperature	-40 °C / -40 °F
Maximum Operating Temperature	65 °C / 149 °F
Connector or Wiring	iCONN Connector - iMATE23
Product Weight	4.60 lbs / 2.09 kgs
Shipping Weight	5.00 lbs / 2.27 kgs
Additional Information	Wire Harness: JWS part number 3271781.



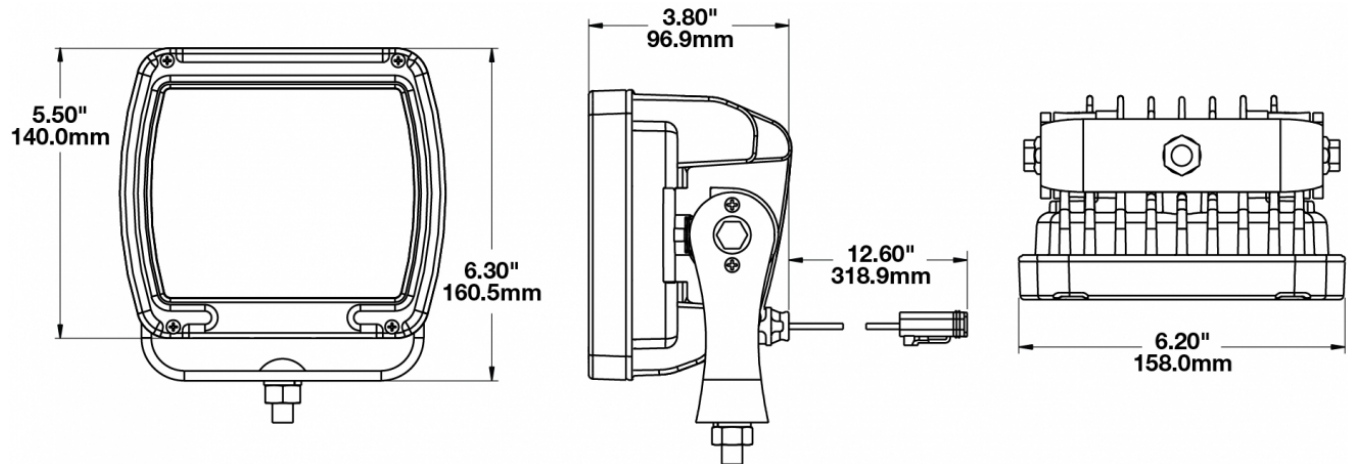
Print date: 2023-06-04

© 2023 J.W. Speaker Corporation • Germantown, WI U.S.A.
www.jwspeaker.com • speaker@jwspeaker.com • 262.251.6660

J.W. SPEAKER 
 Engineered. Lighting. Solutions.

LED Work Light - Model 526

PRODUCT DIMENSIONS



ELECTRICAL SPECIFICATIONS

Input Voltage	24V DC
Operating Voltage	16-32V DC
Transient Spike Protection	330V Peak @ 1 HZ-100 Pulses
Current Draw	5.00A @ 24V DC

REGULATORY STANDARDS COMPLIANCE



IEC IP69K

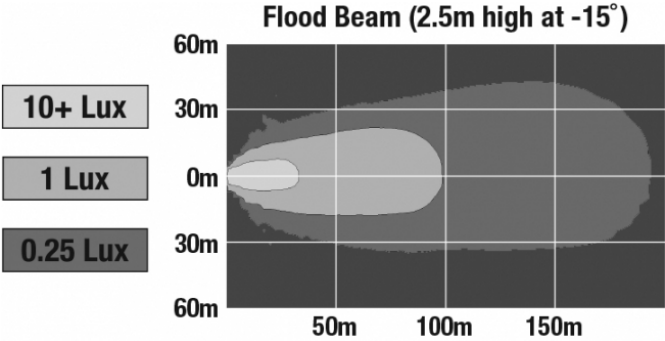
Print date: 2023-06-04

© 2023 J.W. Speaker Corporation • Germantown, WI U.S.A.
www.jwspeaker.com • speaker@jwspeaker.com • 262.251.6660

LED Work Light - Model 526

PHOTOMETRIC SPECIFICATIONS

Raw Lumen Output	9,000
Effective Lumen Output	5800
Nominal LED Color Temperature	5700 K
Beam Pattern(s)	Forward Lighting - Flood (Standard)



APPLICATIONS



PRODUCT WARNINGS

For California residents:

⚠ WARNING: Cancer and reproductive harm - www.P65Warnings.ca.gov.

⚠ AVERTISSEMENT: Cancer et effet nocif sur la reproduction - www.P65Warnings.ca.gov.

Print date: 2023-06-04

© 2023 J.W. Speaker Corporation • Germantown, WI U.S.A.
www.jwspeaker.com • speaker@jwspeaker.com • 262.251.6660



LED Work Light - Model 526

ACCESSORIES



Part Number
3267541
12" 18AWG iCONN
iMATE 23 Wire Asm
w/DT04-2P

Part Number
3268191
15M 18AWG iCONN
iMATE 23 Wire Asm
w/DT04-2P

Part Number
3268201
2.5M 18AWG iCONN
iMATE 23 Wire Asm
w/DT04-2P

LED Work Light - Model 526

RELATED PRODUCTS



Part Number
1300571

24V LED Work Light with Yellow Housing, Polycarbonate Lens & Dual White Anti-Glare Pattern



Part Number
1300591

24V LED Work Light with Black Housing, Polycarbonate Lens & Trapezoid Beam Pattern



Part Number
1300601

24V LED Work Light with Black Housing, Polycarbonate Lens & Anti-Glare Beam Pattern



Part Number
1300641

24V LED Work Light with Black Housing, Polycarbonate Lens & Dual White Anti-Glare Pattern



Part Number
1300701

12V LED Work Light with Black Housing, Polycarbonate Lens & Spot Beam Pattern



Part Number
1300711

24V LED Work Light with Black Housing, Polycarbonate Lens & Spot Beam Pattern



Part Number
1300721

12V LED Work Light with Black Housing, Polycarbonate Lens & Flood Beam Pattern



Part Number
1300731

12V LED Work Light with Black Housing, Polycarbonate Lens & Trapezoid Beam Pattern